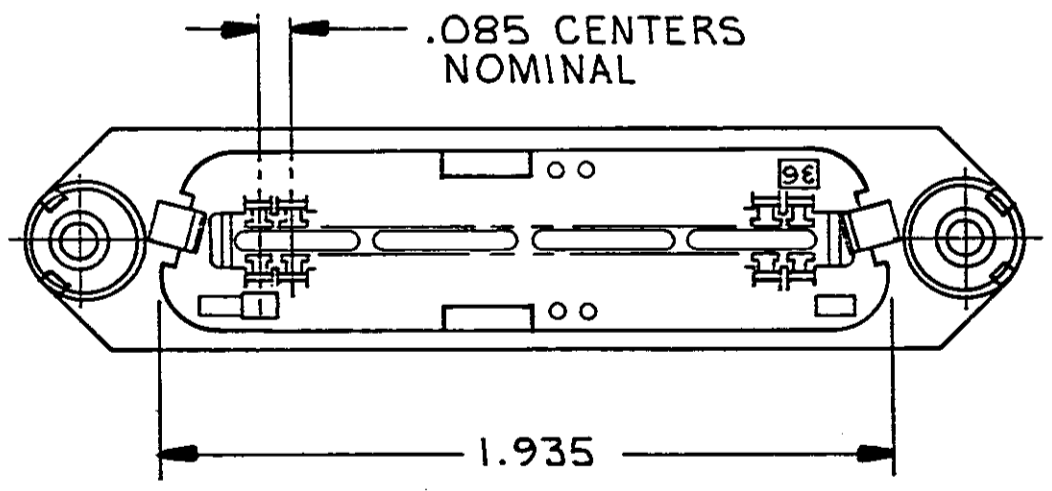
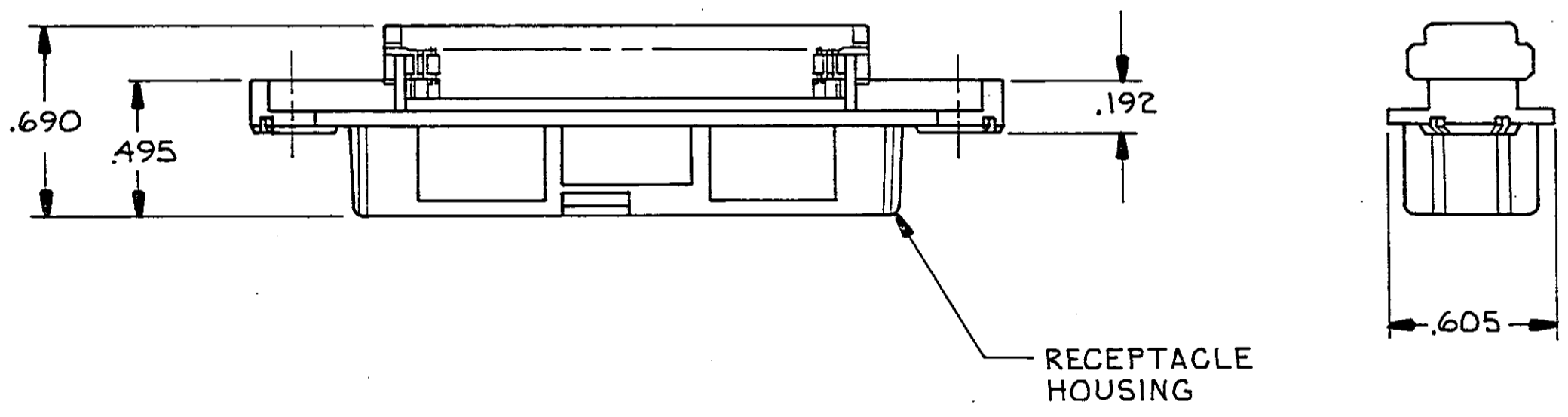
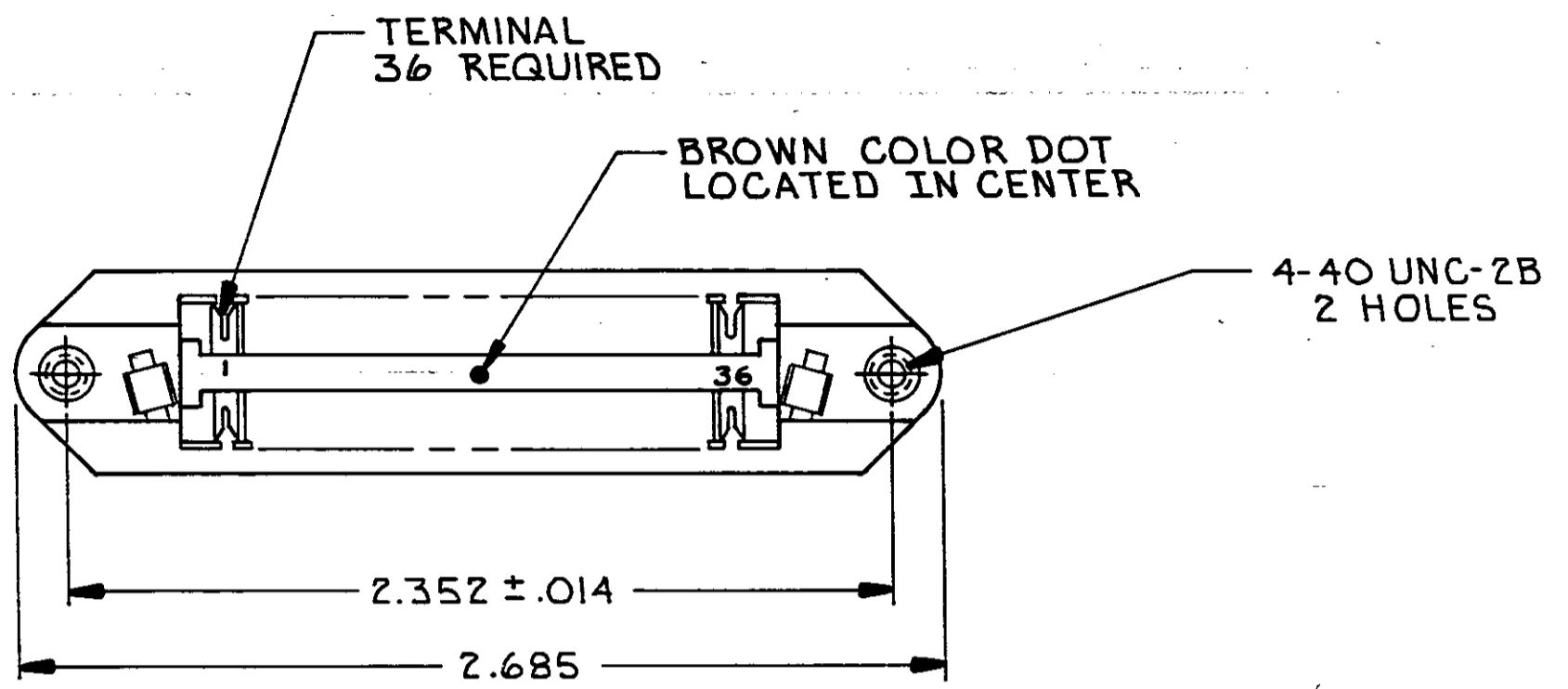


REVISIONS				LOC	DIST
P	F	ZONE/LTR	DESCRIPTION	DATE	APPROVED
C			OBSOLETE:-1; ECN AA-7041	1-7-91	LHS AH



1. THE CONTACT SURFACES OF THE TERMINALS ARE COATED WITH LUBRICANT.
2. ALL DIMENSIONS SHOWN ARE MAXIMUM UNLESS OTHERWISE SPECIFIED.
3. MATERIAL: HOUSING-POLYPHENYLENE, BLACK. TERMINALS - GOLD OVER NICKEL PLATED HIGH STRENGTH COPPER ALLOY.
4. WIRE SIZE: 22 AWG SOLID OR STRANDED COPPER CONDUCTORS. INSULATION DIAMETER OF .045-.056 IS ACCEPTABLE FOR MOST APPLICATIONS.
6. 100 ASSEMBLIES BULK PACKAGED IN A NON STATIC GENERATING PACKAGING MATERIAL.
7. SEE PRODUCT SPECIFICATION 108-6005 FOR PERFORMANCE SPECIFICATIONS.

5-555037-1	PACKAGED	PART NO
------------	----------	---------

UNLESS OTHERWISE SPECIFIED DIMENSIONS ARE IN INCHES. TOLERANCES ON: DECIMALS ± ANGLES ±	CONTRACT NO		AMP AMP INCORPORATED Harrisburg, Pa. 17105		
	DR <i>C. Yates</i> 3-31-87				
	MATERIAL	CHK <i>A. Fox</i> 4-7-87		NAME RECEPTACLE ASSEMBLY, 36 POSITION, F SLOT, CHAMP-LOK®	
		APPD <i>E. Muehle</i> 4-7-87			
FINISH	APPD <i>A. Fox</i> 4-7-87		SIZE	FSCM NO	DRAWING NO
	OTHER APPD		C	00779	555037
SCALE 2:1			SHEET 1 OF 1		

CUSTOMER DRAWING

WAS 86-1210-72-1 & 15/1

555037